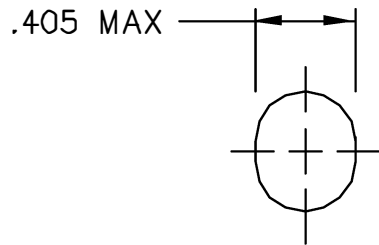
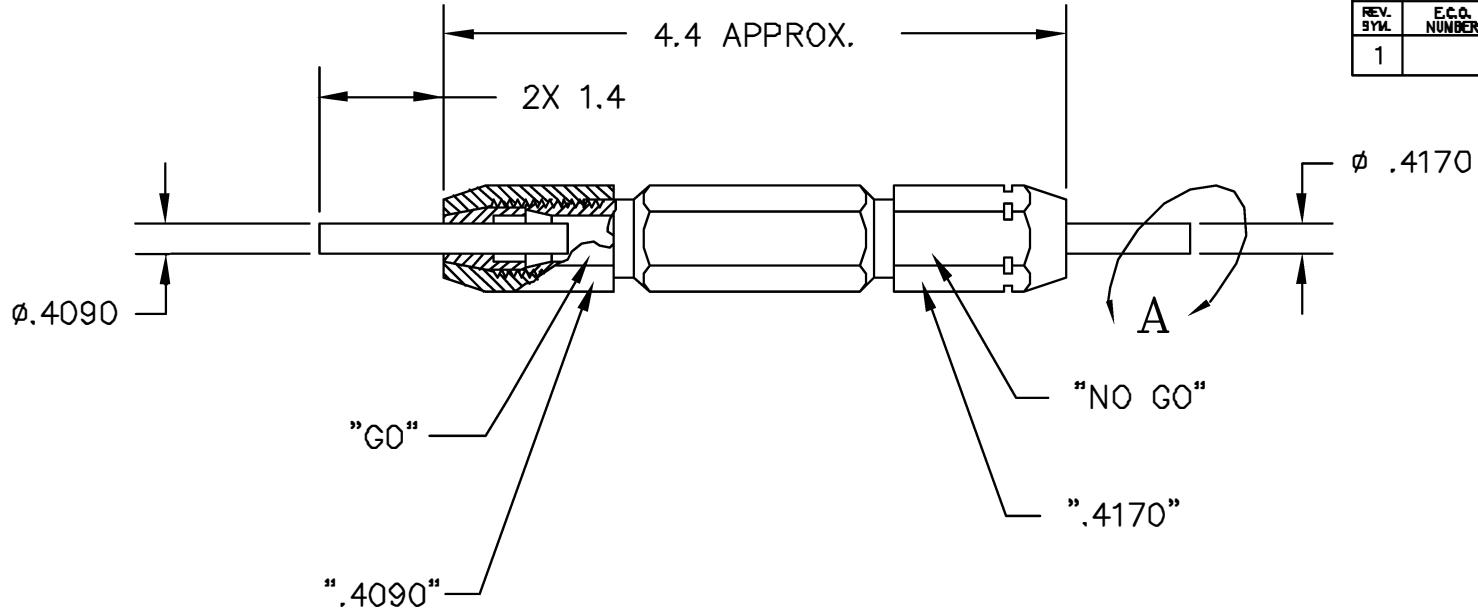



REVISIONS				
REV. SYM.	E.C.O. NUMBER	DESCRIPTION	BY DATE	APP'D DATE
1		ORIGINAL RELEASE	DUNG CAO 5-15-96	DE 5-96



**END VIEW OF DETAIL A  
BOTH GAGE PINS**

**UNCONTROLLED DOCUMENT  
WILL NOT BE UPDATED**

<b>RESTRICTED &amp; CONFIDENTIAL</b> CONFIDENTIAL PROPERTY OF DANIELS MANUFACTURING CORP. NOT TO BE DISCLOSED TO OTHERS, REPRODUCED OR USED FOR ANY OTHER PURPOSE, EXCEPT AS AUTHORIZED IN WRITING BY DANIELS MANUFACTURING. MUST BE RETURNED TO DANIELS MANUFACTURING CORP. ON COMPLETION OF ORDER OR OTHER PURPOSE FOR WHICH SENT.	MATERIAL	ITEM	PART NO.	QTY.	DESCRIPTION/REMARKS			
	HEAT TREAT	DRN. DUNG CAO	DATE 5-15-96		 DANIELS MANUFACTURING CORP. ORLANDO, FLORIDA GAGE 11851			
	FINISH	CHKD. DE	DATE 5-96					
	DO NOT SCALE DRAWING		APP'D.	DATE	TITLE	GO/NO-GO GAGE ENVELOPE DRAWING		
		APP'D.	DATE	WHERE USED:				
				SIZE B	SCALE NTS	CAD P/N G410-ENV	SHEET 1	OF 1
				POSTING	P/N	G410-ENV	REV. 1	